

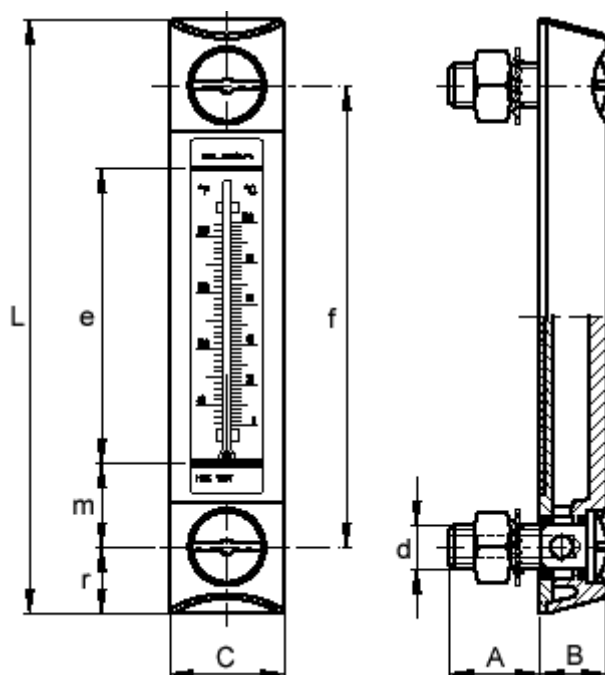
Data Sheet



Article number: 2311111361

Description: E+G Column level indicator
HCX.127-M12-VT with thermometer

Measures



A = 23

r = 17.0

B = 18

C = 31

d = M12

e = 80

f = 127

L = 161

m = 23